

wilson

**MAINS PRESSURE STAINLESS STEEL
DOMESTIC & COMMERCIAL
WATER HEATING**



We're at your service.
SINCE 1930

wilson
HOT WATER

We're at your service.
SINCE 1930



WILSON HOT WATER

Mains pressure stainless steel cylinders are at the forefront of Wilson Hot Water... all the electric and storage choices you need for a total hot water supply solution.

No other manufacturer gives plumbing professionals a broader choice of stainless steel residential and commercial mains pressure water heaters and storage tanks. Every water heater that carries the Wilson name has a reputation to live up to, one that we have earned for over 75 years of manufacturing in Australia.

Stainless Steel has become the material of choice for specifiers as it offers the benefits of excellent corrosion resistance, strength and durability. For long tank life Wilson use high quality stainless steel and after welding all vessels are pickled to remove scale and discoloration and passivated to ensure a more corrosion resistant surface.

Our **qudos** and **qudos^{PRO}** stainless steel mains pressure water heaters are covered with a 10 year warranty* whilst our MPISV commercial/industrial range offer a long service life warranty of 20 years.*

* refer to warranty card for details



We're at your service.
SINCE 1930

qudosTM **ELECTRIC**

Mains Pressure Stainless Steel Electric Water Heaters

Wilson **qudos** mains pressure water heaters are designed and manufactured in Australia to Australian Standards using 445M2 stainless steel.

Wilson **qudos** storage heaters are finished in COLORBOND® steel, insulated with polyurethane foam and features an adjustable thermostat. All our domestic tanks are covered by a 10 year warranty on the cylinder*, 12 month warranty on electrical parts/labour. Sizes available are 160, 250 and 315 litre capacities.

'Solar ready' vessels are available with flow and return ports for direct connection to solar panels with or without electric element.

design data

Capacities

160, 250 and 315 Litre

Cylinder

445M2 stainless steel

Outer Casing

Dune COLORBOND®

Design Pressure

700kpa

Elements

Bolt - on Incaloy sickle element

160 litre - 3.6 kW

250 litre - 3.6 kW

315 litre - 3.6 kW

Thermostat

Adjustable contact thermostat

Safety

Pressure and temperature relief valve 850kpa

Fittings

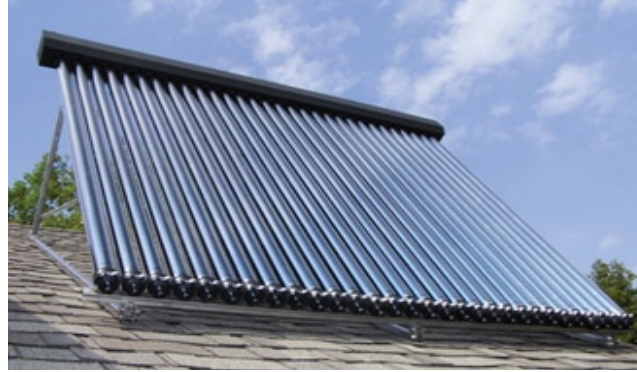
Inlet/outlet 20mm BSP
1 x 15mm BSP (PTR valve)

Approvals

Watermark approved
MEPS compliant

Warranty

10 Years*



- refer to warranty card for details
- specifications subject to change without notice

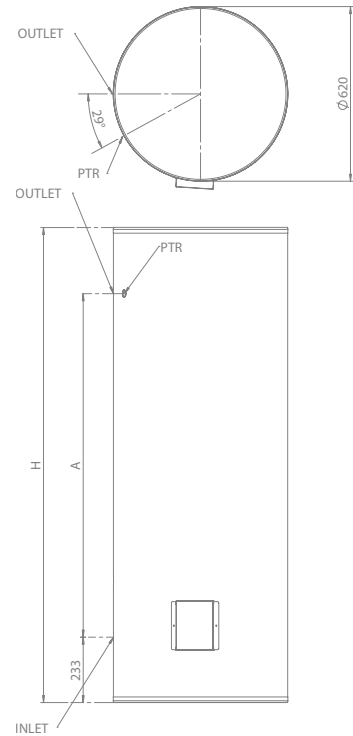


We're at your service.
SINCE 1930

qudosTM ELECTRIC

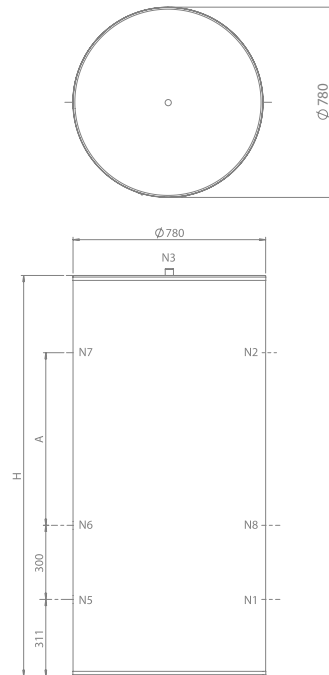
model	MPE160	MPE250	MPE315
Delivery (L)	160L	250L	315L
Relief Valve Setting	850kPa	850kPa	850kPa
Maximum Supply Pressure	750kPa	750kPa	750kPa
Maximum Power Input	4.8kW	4.8kW	4.8kW
Approximate Weight (Full)	190kg	300kg	400kg
Approximate Weight (Empty)	30kg	50kg	80kg
Maximum Temperature	80°C	80°C	80°C
Voltage	240V~	240V~	240V~
Amps	20A max	20A max	20A max
Elements	1x3.6kW	1x3.6kW	1x3.6kW
Cylinder	Stainless Steel	Stainless Steel	Stainless Steel
Rec. Temperature	70°C	70°C	70°C
Dimension (H) mm	1190	1690	2015
Dimension (A) mm	707	1222	1550
Diameter mm	620	620	620

Available as storage only product code MPS
Mid mount element available



qudosTM PRO

model	MPS400	MPS500	MPS600
Delivery (L)	400L	500L	600L
Relief Valve Setting	850kPa	850kPa	850kPa
Maximum Supply Pressure	750kPa	750kPa	750kPa
Approximate Weight (Full)	500kg	620kg	740kg
Approximate Weight (Empty)	100kg	120kg	140kg
Dimension (H) mm	1625	1942	2259
Dimension (A) mm	700	1017	1334
Diameter mm	780	780	780



Standard fittings - 2 x 50mm BSP
and 1 x 25mm BSP sockets N1, N2, N7.
Other fittings and positions POA.

qudos^{PRO}

Manufactured in either:

- 445M2 Stainless Steel - 10 Year Warranty
- Duplex 2205 Stainless Steel - 20 Year Warranty



qudosTMPRO

Heavy Duty Storage Vessels and Electric Water Heaters

When choosing any of the Wilson **qudos^{PRO}** electric water heaters or storage vessels you can be assured of the quality of the product. These vessels have been designed for ease of access into plant rooms due to the narrow 780mm diameter whilst keeping the developer in mind who wishes to use stainless steel at a competitive price. These vessels can be used for solar or instantaneous gas preheat storage, as a buffer tank or even chilled water storage. The Wilson range of cylinders are available with heat exchange coils for connection to other heat sources.

The **qudos^{PRO}** range is available in sizes from 400 litres to 600 litres cased in Dune COLORBOND® with efficient polyurethane foam insulation.

*Available in Duplex 2205 stainless steel with a 20 year cylinder warranty.**

design data

Capacities

400, 500 and 600 litres - further sizes available upon request

Cylinder

445M2 stainless steel or Duplex 2205

Outer Casing

Dune COLORBOND®

Design Pressure

700kpa

Elements

As specified

Configuration

Electric or storage

Safety

850 kpa PTR Valve

Fittings

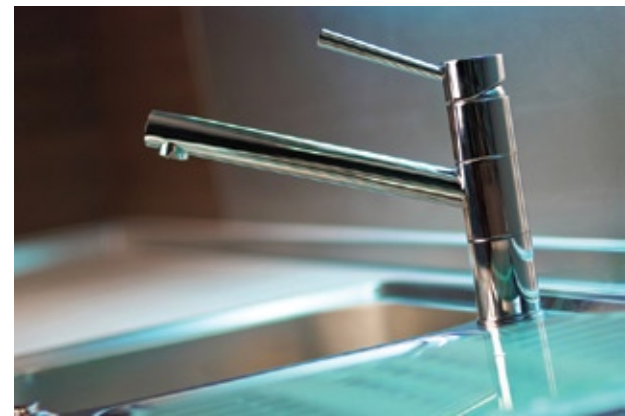
2 x 50mm BSP
1 x 20mm BSP (PTR valve)

Approvals

Watermark approved

Warranty

10 Years 445M2*
20 years Duplex 2205*



- refer to warranty card for details
- specifications subject to change without notice



We're at your service.
SINCE 1930

MPISU

Commercial/Industrial Mains Pressure Storage Vessels

Wilson manufactures high quality, long service life vessels, for projects that require large commercial/residential hot water storage. Installations such as Nursing Homes, Hospitals, Colleges, Apartment Buildings etc. will benefit from the small footprint offered by the Wilson MPISV vessel.

The MPISV vessel is manufactured in sizes ranging from 400 litres to a generous 3,000 litres. These vessels can be connected to the mains pressure water supply and are suitable for use with other hot water systems. For example, used as a buffer tank with a boiler or solar system. These tanks can also be used for chilled water storage.

Cylinders are manufactured from Duplex 2205 Stainless Steel. The outer case manufactured in white Colourbond Steel with mist green ends.



design data

Design Standard
AS 1210 - 1997

Classification
2B

Design Life
Indefinite

Cylinder
Duplex 2205 Stainless Steel

Design Temperature (max)
96° C

Design Pressure (minimum)
0 kPa

Design Pressure (max)
700 kPa

Corrosion Allowance (internal)
0.0mm

Supply Pressure
560 kPa

Test Medium
Clean Water between 7-45° C

Hydrostatic Test Pressure
1200 kPa

Warranty
20 years*

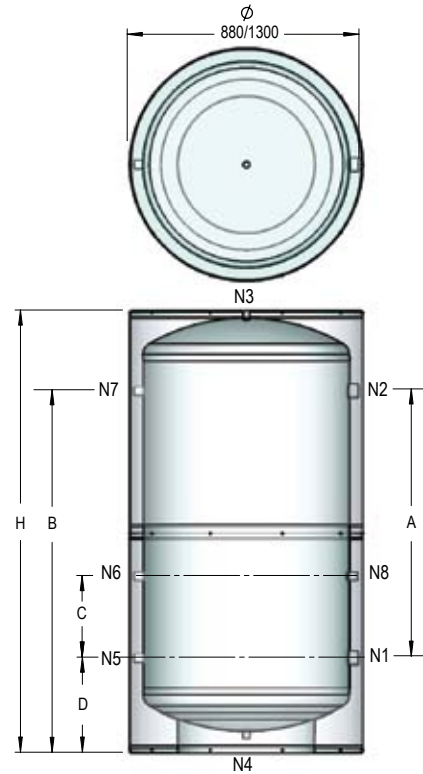
- refer to warranty card for details
- specifications subject to change without notice



All MPISV's are pickled, to remove scale and discolouration and then passivated, to ensure a more corrosion resistant surface. Vessels can be installed in multiple banks if greater storage capacity is required.

The MPISV vessel manufactured by Wilson is provided with a 20 year manufacturers warranty*. Solar flow and return or other additional sizes, flanges and fittings are available.

The installation of a cold water expansion valve is recommended as per AS3500 or to the relevant Authorities requirements.



technical data

Standard Connections

FITTING	SIZE	NOMINAL CONNECTIONS
N1	DN 50mm BSP Socket (32mm - 400 Litre)	Inlet to boiler
N2	DN 50mm BSP Socket (32mm - 400 Litre)	Outlet
N3	DN 25mm BSP Socket	Outlet
N7	DN 25mm BSP Socket	PTR Valve
N8	DN 50mm BSP Socket (32mm - 400 Litre)	From Boiler

Optional Connections

FITTING	SIZE
N4	DN 25mm BSP Socket
N5	DN 25mm BSP Socket
N6	DN 25mm BSP Socket

* Refer to warranty card for details.

model

	MPISV0400S	MPISV0650S	MPISV0800S	MPISV1000S	MPISV1500S	MPISV2000S	MPISV2500S	MPISV3000S
CAPACITY (L)	410	659	801	1037	1500	2000	2500	3000
HEIGHT (H) Est.mm	1090	1640	1940	2440	1840	2280	2740	3190
DIAMETER mm	880	880	880	880	1300	1300	1300	1300
WEIGHT EMPTY Est.kg	115	140	159	182	260	310	360	400
DIMENSION (A) mm	430	980	1280	1780	980	1420	1870	2320
DIMENSION (B) mm	780	1330	1630	2130	1412	1852	2302	2752
DIMENSION (C) mm	150	300	300	300	300	300	300	300
DIMENSION (D) mm	350	350	350	350	432	432	432	432



The logo features the word "wilson" in a white, lowercase, italicized sans-serif font. Below it, the words "HOT WATER" are written in a smaller, orange, uppercase, sans-serif font. The background of the entire page is a blue gradient with a subtle pattern of concentric ripples, suggesting water.

wilson
HOT WATER

Freecall 1800 302 050 Phone: +61 3 9720 2888 Fax: +61 3 9720 2026
sales@wilsonhotwater.com.au www.wilsonhotwater.com.au