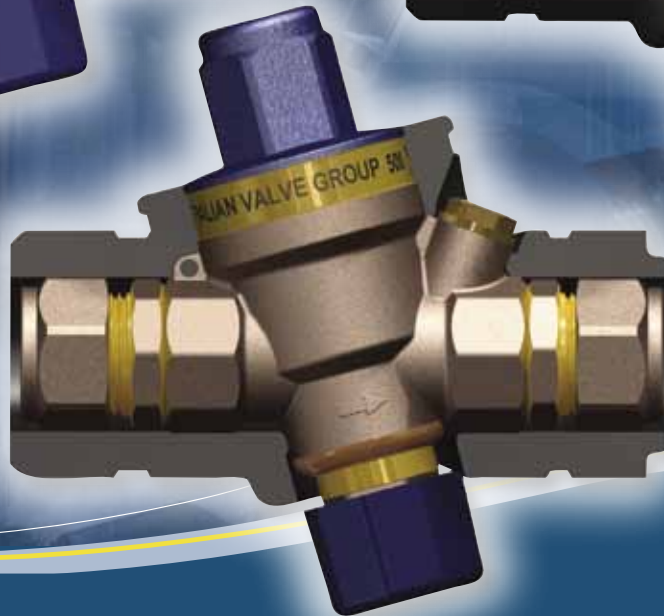


Non Return Isolation
Pressure Reduction Valve Combination

NRI-PRV




AVG
Australian Valve Group

Non Return Isolation Pressure Reduction Valve Combination

NON RETURN ISOLATION PRESSURE REDUCTION VALVE COMBINATION

A non return isolation pressure reduction valve (NRI-PRV) can be a valuable addition to many piping systems. If the incoming water pressure is too high, this can put unnecessary strain on water heaters, pipe work, plumbing joints, taps and tap washers. It can increase the risk of burst hoses on washing machines, water leaks and possibly magnify any existing water hammer problems.

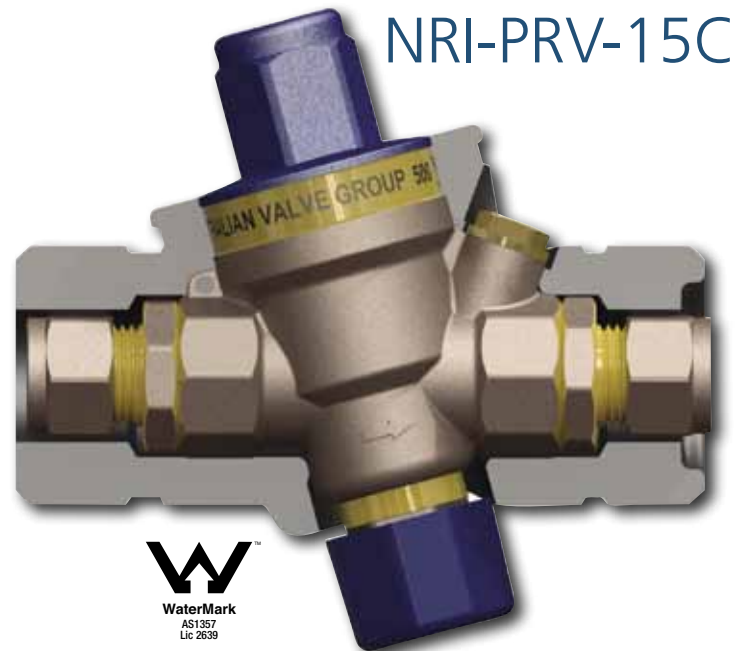
The valves are factory set at 500 kPa. The down stream pressure is adjustable from 150 to 600 kPa by turning the screw on top of the plastic cover. Clockwise to increase pressure and anticlockwise to reduce pressure. A gauge port is standard on the body of the valve so that a gauge can be fitted to monitor the downstream pressure.

For ease of maintenance, the valve has a removable cartridge and strainer, containing all the regulating components which can be easily accessed through the top of the valve.

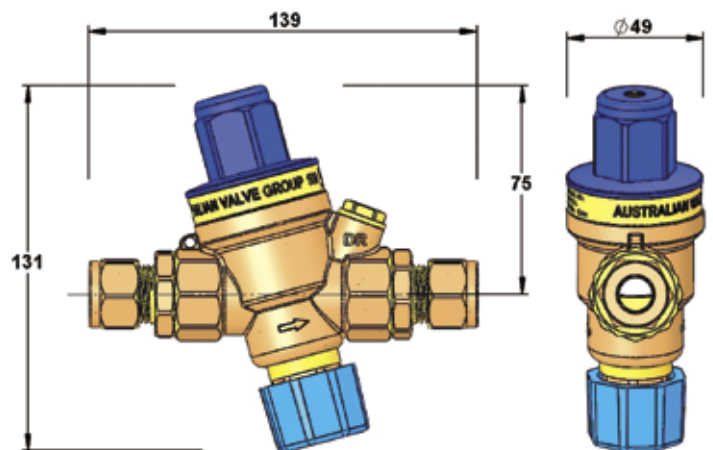
The tagging eye has been cast into the NRI-PRV body to allow the valve to be identified and tagged for mechanical service.

FEATURES

- Adjustable Range 150 – 600 kPa
- Compact design
- Factory set at 500 kPa
- DZR brass valve body
- Internal strainer
- High Flow rate
- Non Return Isolating Valve incorporated
- Valve insulation included



NRI-PRV-15C DIMENSIONS

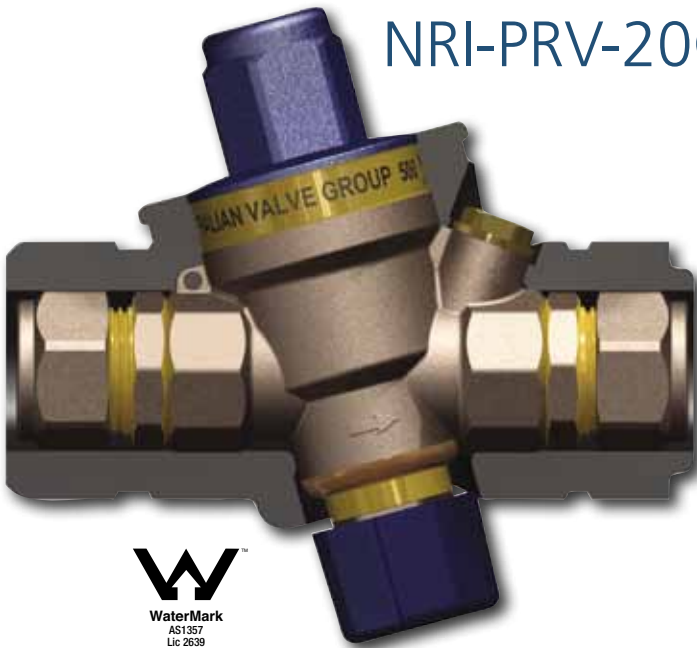


TECHNICAL SPECIFICATIONS

MATERIALS		PERFORMANCE	
Body	DR Brass	Pressure setting range	150-600 kPa
Cover	Glass Reinforced ABS	Factory Setting	500 kPa
Control Spindle	DR Brass	Max inlet Pressure	1600 kPa
Cartridge	DR Brass	Max working Temperature	80°C
Components	DR Brass	Medium	Water
Seals	Hi Temp Silicon Rubber	Complies with	AS1357.2
Strainer	Stainless Steel	Flow rate as per Appendix K @ 700 kPa dynamic	
Spring	Stainless Steel	NRI-PRV15C set pressure 500 kPa	Flow rate 55 L/Min
		set pressure 100 kPa	Flow rate 10 L/Min
		NRI-PRV20C set pressure 500 kPa	Flow rate 120 L/Min
		set pressure 00 kPa	Flow rate 20 L/Min

NRI-PRV

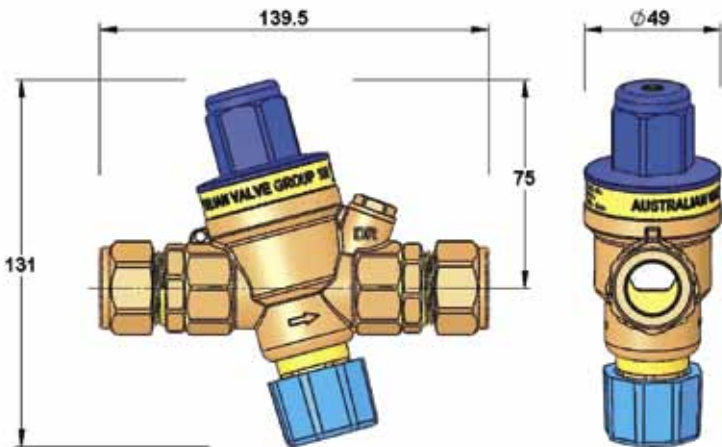
NRI-PRV-20C



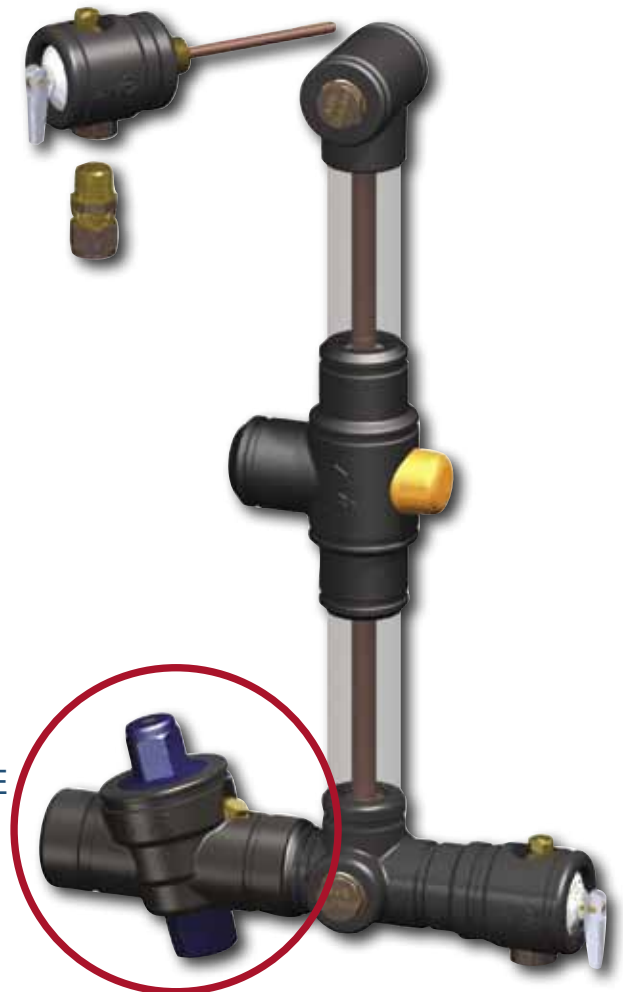
NRI-PRV's now come insulated and comply with AS 3500 – cable ties included



NRI-PRV-20C DIMENSIONS



The NRI-PRV is a valuable addition when used in conjunction with AVG QUICKIE KIT for storage hot water systems



installation

INSTRUCTIONS

INSTALLATION

The pressure reduction valve must be installed by a licensed plumber and in accordance with AS/NZS 3500, relevant local requirements and the following manufacturer's instructions.

IMPORTANT NOTE

Flush out your lines to remove any debris or dirt particles that may cause the valve to malfunction.

1. The pressure reduction valve may be installed horizontally or vertically.
2. It is recommended that isolation valves be fitted either side of the pressure reduction valve to assist future maintenance operations.
3. The NRI-PRV15 and NRI-PRV20 are protected by an internal stainless steel filter. If the valve is being installed in an environment where fine dirt particles are present it is recommended that a line strainer be fitted upstream of the valve.
4. Ensure that the valve is installed in an accessible position for future maintenance operations.

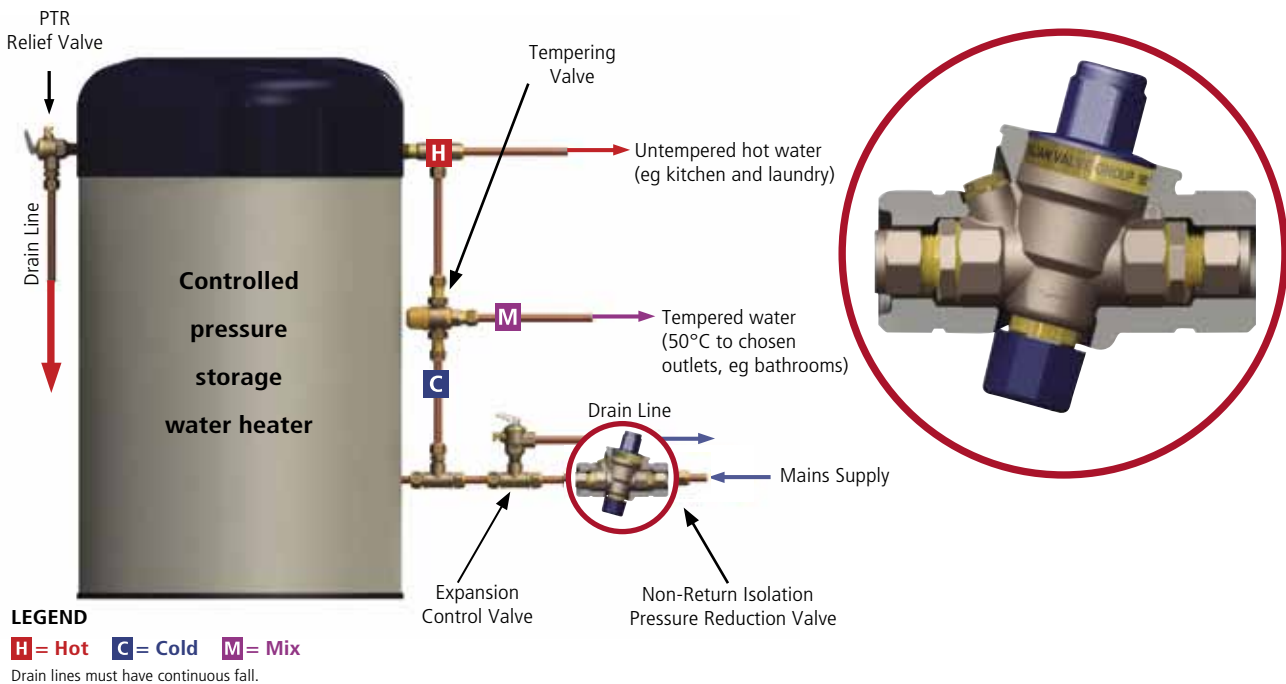
5. Install the valve with the arrow on the valve body pointing in the direction of flow.

For best operation the inlet pressure should be at least 100 kPa higher than the outlet pressure.

RECOMMENDATIONS FOR INSTALLATION

1. Do NOT install NRI-PRV's below ground.
2. If the installation is at risk of water hammer, fit a water hammer arrestor.
3. If the pressure setting is important for the protection of equipment fit a pressure relief valve downstream of the valve.

TYPICAL INSTALLATION OF CONTROLLED PRESSURE HOT WATER SYSTEM



Note : The tempering valve may be installed at the point of use, but there must be a minimum 1 metre pipe run between the valve and the outlet of the tap.

DISCLAIMER

Every care has been taken in the preparation of these instructions, which have been issued as a guide only. Compliance with the requirements of local Authorities is required at all times. These requirements may change from time to time. Always be aware of the local requirements. Subject to any statutory obligations and manufacturers warranties no liability can be accepted for any losses, consequential or otherwise which may arise or be said to have arisen from relying upon the contents of this installation instruction as to the fitness of any particular product for any particular purpose, use or application. The Australian Valve Group Pty Ltd reserves the right to modify designs and specifications and to withdraw and introduce products at any time without notice.